

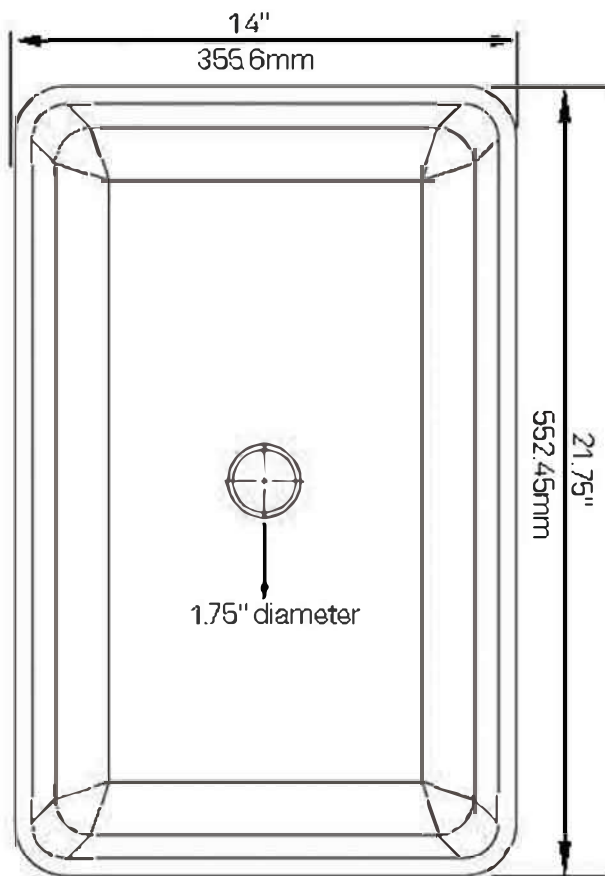


NOVATTO

NOHP-G19034 FRESCA Rectangle Glass Vessel Bath Sink

Requested By:

Specific Features:



STANDARD SPECIFICATIONS:

- Rectangle hand painted vessel sink
- Blue and black tones
- High tempered glass
- Stain and scratch resistant inside
- Textured painted outside
- Above counter installation
- Inside dimen.: 20.75 x 13 x 3-inches
- Standard U.S. plumbing connection
- 1.75-inch drain opening
- Novatto faucet sold separately

WARRANTY:

- Limited lifetime warranty
- See www.NovattoInc.com for details

COORDINATING ACCESSORIES:

- PUD-CH pop-up drain
- Glacier Ice Restoration and Sealer kit

NOTES

Novatto reserves the right (1) to make changes in specifications and materials, and (2) to change or discontinue models, both without notice or obligation. Dimensions are for reference only, see www.NovattoInc.com for finish options and product availability.

Novatto Inc
TOLL FREE 844.404.4242
www.NovattoInc.com



PUD-CH
Vessel Sink Pop-Up Drain, Chrome

Requested By: _____

Specific Features: _____

STANDARD SPECIFICATIONS:

- Pop-up vessel sink drain
- Chrome finish
- Solid brass construction
- Includes rubber seals and fastener for installation
- 9-inches total length
- Fits any standard 1.75-inch drain opening
- cUPC

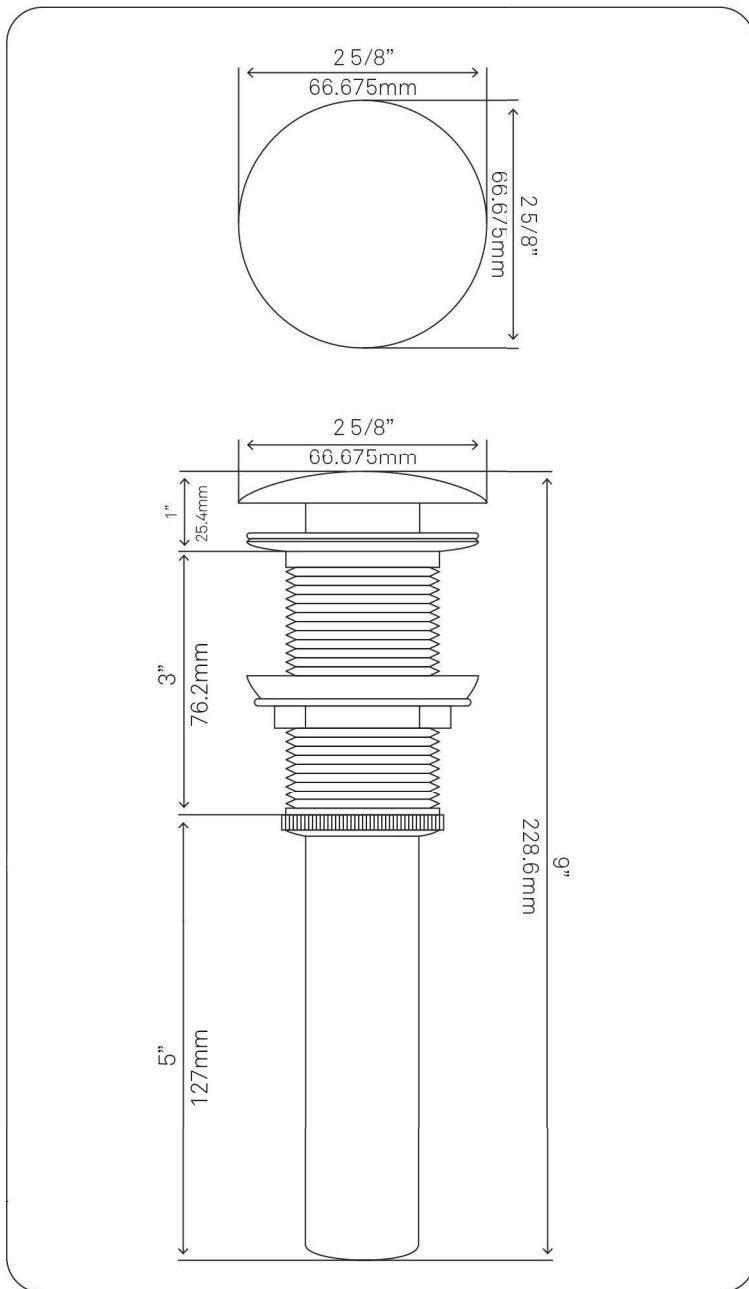
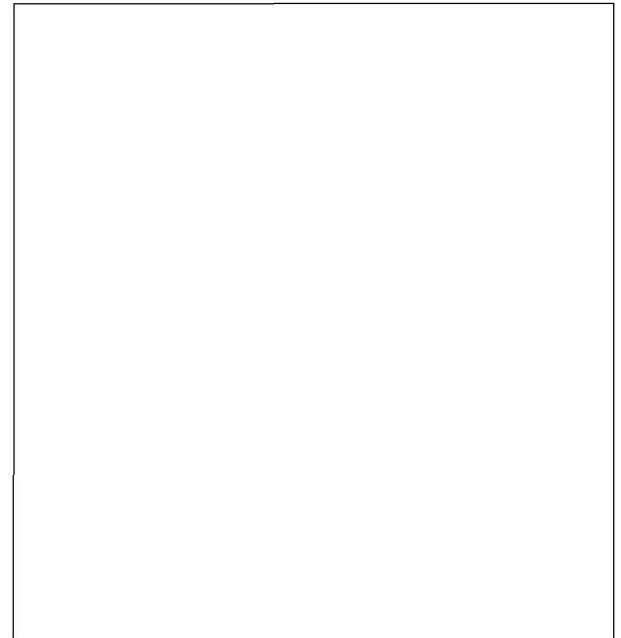
WARRANTY:

- Limited lifetime warranty
- See www.NovattoInc.com for details

COORDINATING ACCESSORIES:

- Glacier Ice Restoration and Sealer kit
- Chrome Mounting Ring

NOTES



Novatto reserves the right (1) to make changes in specifications and materials, and (2) to change or discontinue models, both without notice or obligation. Dimensions are for reference only, see www.NovattoInc.com for finish options and product availability.

Novatto Inc
 TOLL FREE 844.404.4242
www.NovattoInc.com